

iCOOL PACIFIC PTY LTD

# PRODUCT CATALOGUE 2024



 03 97064520

 [www.icoolpacific.com](http://www.icoolpacific.com)

# CONTENTS



**1**

Premium Pair Coil

**2**

White Pair Coil

**3**

Fire Rated Pair Coil

**4**

Refrigeration Copper Tube AS/NZS 1571

**5**

Plumbing Copper Tube AS 1432

**6**

Fire Rated Rubber Insulation

**7**

Refrigeration Press Fitting

**13**

R410A Copper Fitting

**14**

Heavy-Duty Air Conditioner Wall Bracket

**15**

Roof Bracket

**16**

Silver Solder

**17**

Torching Gas

**18**

Motorised Zone Damper

**20**

Round Diffuser

**21**

Drain Hose

# Premium Pair Coil



## Description

- ICOOL Premium Pair Coil manufactured to Australian Standard AS/NZS 1571 is suitable for use in domestic split system air conditioners with high pressure refrigerants R410A and R32.
- Produced to be more durable with embossed polyethylene film and crossed-linked, foamed closed cell polyethylene outer insulation.
- The 20 metre pre-insulated annealed copper pair coil with continuous marking every meter makes it easy to install and save time & money as no measurement, glue or tape is needed.
- Smooth surface makes it much more user friendly.



## Specification

Product Code	Copper Tube Outside Diameter & Wall Thickness (mm)	Copper Tube Outside Diameter (inch)	Length(m)	R-Values	R410A & R32 Rated
PPC2320	6.35x0.81+9.52x0.81	1/4+3/8	20	0.26	Yes
PPC2420	6.35x0.81+12.70x0.81	1/4+1/2	20	0.26	Yes
PPC2520	6.35x0.81+15.88x1.02	1/4+5/8	20	0.26	Yes
PPC3520	9.52x0.81+15.88x1.02	3/8+5/8	20	0.26	Yes
PPC3620	9.52x0.81+19.05x1.14	3/8+3/4	20	0.26	Yes
PPC4620	12.70x0.81+19.05x1.14	1/2+3/4	20	0.26	Yes

## Insulation Technical Data

Material	Highly flexible paired polyethylene
Thermal Conductivity	0.035W/m.K.at 0°C
Tensile Strength	55.8N/cm <sup>2</sup> (kgf/cm <sup>2</sup> )
Water Absorption	0.0051 MAX g/100cm <sup>2</sup>
Thickness Shrinkage	6% MAX @ 120±5°C
Appearance Density	Inner Tube: 0.028g/cm <sup>3</sup> ; Outside Tube: 0.0303g/cm <sup>3</sup>
Moisture Permeability	8.6x10 <sup>-11</sup> g/(m <sup>2</sup> •s•Pa)

## Copper Tube Safe Working Pressure

Copper Tube Outside Diameter & Wall Thickness (mm)	Safe Working Pressure (kpa)		
	50°C	65°C	75°C
6.35x0.81	10635	9545	8820
9.52x0.81	6800	6105	5640
12.70x0.81	4995	4480	4140
15.88x1.02	5030	4515	4170
19.05x1.14	4697	4181	3895

# White Pair Coil



## Description

- ICOOL White Pair Coil manufactured to Australian Standard AS/NZS 1571 is suitable for use in domestic split system air conditioners with high pressure refrigerants R410A and R32.
- Produced to be more durable with embossed polyethylene film and crossed-linked, foamed closed cell polyethylene outer insulation.
- The 20 metre pre-insulated annealed copper pair coil with continuous marking every meter makes it easy to install and save time & money as no measurement, glue or tape is needed.



## Specification

Product Code	Copper Tube Outside Diameter & Wall Thickness (mm)	Copper Tube Outside Diameter (inch)	Length(m)	R-Values	R410A & R32 Rated
IPC2320	6.35x0.81+9.52x0.81	1/4+3/8	20	0.26	Yes
IPC2420	6.35x0.81+12.70x0.81	1/4+1/2	20	0.26	Yes
IPC2520	6.35x0.81+15.88x1.02	1/4+5/8	20	0.26	Yes
IPC3520	9.52x0.81+15.88x1.02	3/8+5/8	20	0.26	Yes
IPC3620	9.52x0.81+19.05x1.14	3/8+3/4	20	0.26	Yes
IPC4620	12.70x0.81+19.05x1.14	1/2+3/4	20	0.26	Yes

## Insulation Technical Data

Material	Highly flexible paired polyethylene
Thermal Conductivity	0.035W/m.K.at 0°C
Tensile Strength	55.8N/cm2(kgf/cm2)
Water Absorption	0.0051 MAX g/100cm2
Thickness Shrinkage	6% MAX @ 120±5°C
Appearance Density	Inner Tube: 0.028g/cm3; Outside Tube: 0.0303g/cm3
Moisture Permeability	8.6x10 <sup>-11</sup> g/(m2•s•Pa)

## Copper Tube Safe Working Pressure

Copper Tube Outside Diameter & Wall Thickness (mm)	Safe Working Pressure (kpa)		
	50°C	65°C	75°C
6.35x0.81	10635	9545	8820
9.52x0.81	6800	6105	5640
12.70x0.81	4995	4480	4140
15.88x1.02	5030	4515	4170
19.05x1.14	4697	4181	3895

# Fire Rated Pair Coil



## Description

- ICOOL Fire Rated Pair Coil manufactured to Australian Standard AS/NZS 1571 and AS1530.3-1999 is suitable for use in split system air conditioners with high pressure refrigerants R410A and R32.
- Manufactured from fire-retardant insulation to meet the fire safety regulations of Building Code of Australia (BCA).
- Available in 13mm and 19mm wall thickness insulation to suit the condensation prevention requirement and the thermal resistance requirements.



## Specification

Product Code	Copper Tube Outside Diameter & Wall Thickness (mm)	Copper Tube Outside Diameter (inch)	Length(m)	R-Values	R410A & R32 Rated
<b>13mm Wall Thickness Insulation</b>					
FR2320T13	6.35x0.81+9.52x0.81	1/4+3/8	20	0.70	Yes
FR2420T13	6.35x0.81+12.70x0.81	1/4+1/2	20	0.60	Yes
FR2520T13	6.35x0.81+15.88x1.02	1/4+5/8	20	0.60	Yes
FR3520T13	9.52x0.81+15.88x1.02	3/8+5/8	20	0.60	Yes
FR3620T13	9.52x0.81+19.05x1.14	3/8+3/4	20	0.60	Yes
<b>19mm Wall Thickness Insulation</b>					
FR2318T19	6.35x0.81+9.52x0.81	1/4+3/8	18	1.10	Yes
FR2418T19	6.35x0.81+12.70x0.81	1/4+1/2	18	1.00	Yes
FR2518T19	6.35x0.81+15.88x1.02	1/4+5/8	18	1.00	Yes
FR3518T19	9.52x0.81+15.88x1.02	3/8+5/8	18	1.00	Yes

## Insulation Technical Data(AS1530.3-1999)

<b>Material</b>	Highly flexible 13mm and 19mm paired tubular closed cell elastomeric nitrile rubber foam
<b>Thermal Conductivity</b>	0.033W/m.K.at 23°C
<b>Water Absorption</b>	0.0030 g/100cm <sup>2</sup>
<b>Spread of Flame Index</b>	0
<b>Smoke Development Index</b>	3
<b>Working Temperature</b>	-40°C to +105°C Range

## Copper Tube Safe Working Pressure

Copper Tube Outside Diameter & Wall Thickness (mm)	Safe Working Pressure (kpa)		
	50°C	65°C	75°C
6.35x0.81	10635	9545	8820
9.52x0.81	6800	6105	5640
12.70x0.81	4995	4480	4140
15.88x1.02	5030	4515	4170
19.05x1.14	4697	4181	3895

# ICOOL Refrigeration Copper Tube AS/NZS 1571



## Application

ICOOL seamless copper tube manufactured to Australian Standard AS/NZS 1571 is suitable for use in high and low pressure air conditioning, refrigeration and mechanical services. We stock sizes from 6.35mm to 41.28mm in different wall thickness. ICOOL copper tube is available in hard drawn straight lengths, bendable quality straight lengths and soft drawn coils. Other specifications also available upon request.

## Specification Table

Part No.	Outside Diameter		Wall Thickness	Length	Temper	Suitable for R410A & R32
	(inch)	(mm)				
CC1430	1/4"	6.35	0.81	30	Soft	Yes
CC3818	3/8"	9.52	0.81	18	Soft	Yes
CC1218	1/2"	12.70	0.81	18	Soft	Yes
CC5818B	5/8"	15.88	1.02	18	Soft	Yes
CC3418B	3/4"	19.05	1.14	18	Soft	Yes
CC7818B	7/8"	22.23	1.40	18	Soft	Yes
STC14	1/4"	6.35	0.81	6	Half Hard	Yes
STC38	3/8"	9.52	0.81	6	Half Hard	Yes
STC12	1/2"	12.70	0.81	6	Half Hard	Yes
STC58A	5/8"	15.88	0.81	6	Half Hard	
STC58B	5/8"	15.88	1.02	6	Half Hard	Yes
STC34A	3/4"	19.05	0.91	6	Half Hard	
STC34B	3/4"	19.05	1.14	6	Half Hard	Yes
STC78A	7/8"	22.23	0.91	6	Half Hard	
STC78B	7/8"	22.23	1.40	6	Hard	Yes
STC1A	1"	25.40	0.91	6	Hard	
STC1B	1"	25.40	1.63	6	Hard	Yes
STC118A	1-1/8"	28.58	0.91	6	Hard	
STC118B	1-1/8"	28.58	1.83	6	Hard	Yes
STC114B	1-1/4"	31.75	2.03	6	Hard	Yes
STC138A	1-3/8"	34.90	0.91	6	Hard	
STC138B	1-3/8"	34.90	2.03	6	Hard	Yes
STC158A	1-5/8"	41.28	0.91	6	Hard	
STC158B	1-5/8"	41.28	2.41	6	Hard	Yes



Refrigerant	-40°C	-20°C	0°C	20°C	-20°C	0°C	20°C
R410A	76	303	704	1,353	2,336	3,749	4,631
R404A	26	195	498	989	1,729	2,789	
R32	76	304	712	1,374	2,377	3,831	4,776
R134a	-47	39	192	469	915	1,581	2,016
R507	40	216	525	1,024	1,778	2,859	3,554
R407C	19	179	467	936	1,648	2,668	3,318
R438A	12	162	432	873	1,539	2,495	3,104
R22	5	145	397	810	1,433	2,326	2,884
R744(CO2)	904	1,869	3,384	5,625	7,106 (@30°C)		

## Refrigerant Pressure-Temperature Table

The following chart is a comparison of working pressures for the most common refrigerants and can be used for determining which copper tube size is required for your system. The table should be used as a reference only and for more detailed information, please consult the refrigerant manufacturers.

Refrigerant Saturated Vapour Pressures (kPa)



# ICOOL Plumbing Copper Tube AS 1432



## Application

ICOOL seamless copper tube manufactured to Australian Standard AS 1432 is suitable for use in pressure and non-pressure plumbing, gas fitting and drainage applications. We stock sizes from 6.35mm to 203.2mm in different wall thickness. ICOOL copper tube is available in hard drawn straight lengths, bendable quality straight lengths and annealed coils. All ICOOL plumbing copper tubes are made of pure copper and are lead free, which is ideal for drinking water.



Part No.	Type	Outside Diameter		Wall Thickness	Length	Gauge	Temper
		(inch)	(mm)	(mm)			
PCC620GA	Type A	6.35	1/4"	0.91	30m	20G	Annealed
PCC820GA	Type A	7.94	5/16"	0.91	30m	20G	Annealed
PCC1519GA	Type A	12.7	1/2"	1.02	18m	19G	Annealed
PCC2017GA	Type A	19.05	3/4"	1.42	18m	17G	Annealed
PCC2516GA	Type A	25.4	1"	1.63	18m	16G	Annealed
PST620GABQ	Type A	6.35	1/4"	0.91	6m	20G	Bendable
PST1519GABQ	Type A	12.7	1/2"	1.02	6m	19G	Bendable
PST1818GABQ	Type A	15.88	5/8"	1.22	6m	18G	Bendable
PST2017GABQ	Type A	19.05	3/4"	1.42	6m	17G	Bendable
PST2516GAHD	Type A	25.4	1"	1.63	6m	16G	Hard
PST3216GAHD	Type A	31.75	1-1/4"	1.63	6m	16G	Hard
PST4016GAHD	Type A	38.1	1-1/2"	1.63	6m	16G	Hard
PST5016GAHD	Type A	50.8	2"	1.63	6m	16G	Hard
PST6516GAHD	Type A	63.5	2-1/2"	1.63	6m	16G	Hard
PST8014GAHD	Type A	76.2	3"	2.03	6m	14G	Hard
PCC1020GB	Type B	9.52	3/8"	0.91	18m	20G	Annealed
PCC1520GB	Type B	12.7	1/2"	0.91	18m	20G	Annealed
PCC1819GB	Type B	15.88	5/8"	1.02	18m	19G	Annealed
PCC2019GB	Type B	19.05	3/4"	1.02	18m	19G	Annealed
PST1020GBBQ	Type B	9.52	3/8"	0.91	6m	20G	Bendable
PST1520GBBQ	Type B	12.7	1/2"	0.91	6m	20G	Bendable
PST1819GBBQ	Type B	15.88	5/8"	1.02	6m	19G	Bendable
PST2019GBBQ	Type B	19.05	3/4"	1.02	6m	19G	Bendable
PST2518GBHD	Type B	25.4	1"	1.22	6m	18G	Hard
PST3218GBHD	Type B	31.75	1-1/4"	1.22	6m	18G	Hard
PST4018GBHD	Type B	38.1	1-1/2"	1.22	6m	18G	Hard
PST5018GBHD	Type B	50.8	2"	1.22	6m	18G	Hard
PST6518GBHD	Type B	63.5	2-1/2"	1.22	6m	18G	Hard
PST8016GBHD	Type B	76.2	3"	1.63	6m	16G	Hard
PST10016GBHD	Type B	101.6	4"	1.63	6m	16G	Hard
PST12516GBHD	Type B	127	5"	1.6	6m	16G	Hard
PST15014GBHD	Type B	152.4	6"	2.03	6m	14G	Hard
PST20014GBHD	Type B	203.2	8"	2.03	6m	14G	Hard
PCC2020GC	Type C	19.05	3/4"	0.91	18m	20G	Annealed
PST1022GCBQ	Type C	9.52	3/8"	0.71	6m	22G	Bendable
PST1522GCBQ	Type C	12.7	1/2"	0.71	6m	22G	Bendable
PST1820GCBQ	Type C	15.88	5/8"	0.91	6m	20G	Bendable
PST2020GCBQ	Type C	19.05	3/4"	0.91	6m	20G	Bendable
PST2520GCHD	Type C	25.4	1"	0.91	6m	20G	Hard

# Fire Rated Rubber Insulation



## Description

● ICOOL Fire Rated Rubber Insulation manufactured from highly flexible tubular closed cell elastomeric nitrile rubber foam is suitable for applications ranging from -40°C to +105°C.

- Comply with AS1530.3-1999 standard.
- Available from 6mm to 42mm in 2 meter length and in different wall thickness to suit condensation prevention requirement and the thermal resistance requirements.



## Specification

Part No.	Wall Thickness	Inner Diameter (inches)	Inner Diameter (mm)	Length	R-value	Box Qty (pcs)
R9INS14	9mm	1/4"	6	2M	0.50	168
R9INS38	9mm	3/8"	10	2M	0.44	120
R9INS12	9mm	1/2"	12	2M	0.41	100
R9INS58	9mm	5/8"	15	2M	0.39	90
R9INS34	9mm	3/4"	20	2M	0.37	72
R9INS78	9mm	7/8"	22	2M	0.36	65
R9INS10	9mm	1"	25	2M	0.35	49
R9INS118	9mm	1-1/8"	28	2M	0.35	49
R9INS138	9mm	1-3/8"	35	2M	0.33	36
R9INS158	9mm	1-5/8"	42	2M	0.32	30
R13INS14	13mm	1/4"	6	2M	0.81	100
R13INS38	13mm	3/8"	10	2M	0.70	90
R13INS12	13mm	1/2"	12	2M	0.65	72
R13INS58	13mm	5/8"	15	2M	0.61	63
R13INS34	13mm	3/4"	20	2M	0.59	56
R13INS78	13mm	7/8"	22	2M	0.57	42
R13INS10	13mm	1"	25	2M	0.55	42
R13INS118	13mm	1-1/8"	28	2M	0.54	36
R13INS138	13mm	1-3/8"	35	2M	0.51	30
R13INS158	13mm	1-5/8"	42	2M	0.50	25
R19INS14	19mm	1/4"	6	2M	1.33	48
R19INS38	19mm	3/8"	10	2M	1.14	36
R19INS12	19mm	1/2"	12	2M	1.06	30
R19INS58	19mm	5/8"	15	2M	1.00	30
R19INS34	19mm	3/4"	20	2M	0.95	25
R19INS78	19mm	7/8"	22	2M	0.91	24
R19INS10	19mm	1"	25	2M	0.88	20
R19INS118	19mm	1-1/8"	28	2M	0.86	20
R19INS138	19mm	1-3/8"	35	2M	0.81	16
R19INS158	19mm	1-5/8"	42	2M	0.78	16
R25INS14	25mm	1/4"	6	2M	1.90	30
R25INS38	25mm	3/8"	10	2M	1.63	30
R25INS12	25mm	1/2"	12	2M	1.51	24
R25INS58	25mm	5/8"	15	2M	1.42	20
R25INS34	25mm	3/4"	20	2M	1.35	20
R25INS78	25mm	7/8"	22	2M	1.29	18
R25INS10	25mm	1"	25	2M	1.25	16
R25INS118	25mm	1-1/8"	28	2M	1.21	16
R25INS138	25mm	1-3/8"	35	2M	1.14	12
R25INS158	25mm	1-5/8"	42	2M	1.09	12



# Refrigeration Press Fittings

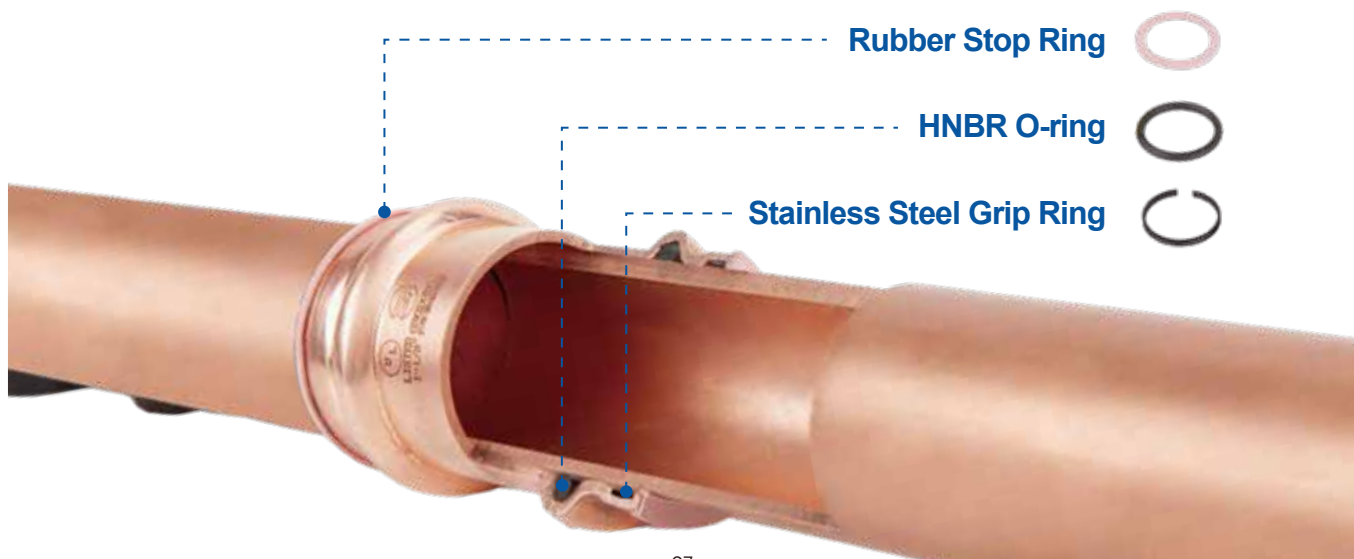


## Introduction

COOL PRESS system is a copper press connection system designed for the air conditioning and refrigeration markets. It allows contractors to make secure leak-free connections in seconds. COOL PRESS utilizes a rubber stop ring, coated stainless steel grip ring and black HNBR sealing element to provide permanent leak-proof connections from 1/4" to 1 1/8".

## Features and Benefits

- **Flame-free:** Flame-free installation avoids the need for a fire permit and the risk of fire on site.
- **No Nitrogen Purge:** COOL PRESS is a mechanical joint, thus eliminating the need for nitrogen purge during the jointing process.
- **Lower Installed Cost:** A professional fitting which is quick and simple to install, saving time and money.
- **Higher Productivity, Improved Flexibility:** Work may be completed during working hours / public access, by a single employee.
- **Site Access:** Easy access to work sites, no gas bottles required.
- **Quality Designed In:** Reliable, repeatable, permanent, tamper-proof connections every time.
- **3-Point Press:** Three press points, one each side of the bead, and one press compressing the O-ring. This provides a secure joint.
- **High Quality O-ring:** High quality HNBR O-ring forms a secure leak-free joint when pressed.
- **Protected O-ring:** Lead-in edge design aids tube insertion and helps protect the O-ring from damage or displacement.
- **Electrical Continuity:** Maintains ground continuity without the need for additional ground continuity straps.
- **Field Proven:** Press fit technology, field proven over two decades and millions of installed fittings world-wide.
- **Compact Tooling:** Light compact tooling provides easy access to tightly spaced tube runs.
- **WARRANTY:** 15-year product warranty.



# Refrigeration Press Fittings



## Listings and Certifications

- UL 207 SA46123
  - UL Listed: Approved use for field and factory installations with A1 refrigerants
  - UL Recognized: Approved use for factory installations with A2, A2L, and A3 refrigerants
- UL 109-8 Vibration test, compliant
- UL 1963-79 Tests of gaskets and seals used in refrigerant systems, compliant
- ISO 14903-7.4 Tightness test, compliant
- ISO 14903-7.6 Pressure temperature vibration tests (PTV), compliant
- ISO 14903-7.8 Freezing test, compliant
- ISO 5149-2:2014, Refrigerating systems and heat pumps
  - Safety and environmental requirements
  - Part 2: Design, construction, testing, marking and documentation compliant
- ISO 5149-2, 5.3.2.2.3 Strength pressure test, compliant
- ASME B31.5-2016 Refrigeration Piping and Heat Transfer Components, compliant

## Technical Data

### Maximum Rated Operating and Abnormal Pressure

700 psi / 48 bar / 4800 kPa

### Continuous Operating Temperature

-40°F to 284°F / -40°C to 140°C

### Vacuum Pressure Capability

200 Microns

### Size Availability (Inches):

1/4, 3/8, 1/2, 5/8, 3/4, 7/8, 1-1/8

### Leak Tightness:

Helium  $\leq 7.5 \times 10^{-7}$  Pa.m<sup>3</sup>/s at +20°C, 10 bar



### Burst Pressure

>3X Maximum operating and abnormal pressure

>2,100 psig / >14400 kPa / >144 bar

## Applications: COOLPRESS fittings are designed for the following applications

- Refrigeration
- Air Conditioning
- Heat Pump (Refrigeration side)
- VRF and VRV

Fitting Materials	Compatibility
<b>Fitting Body</b> Refrigerant Grade Copper (UNS C12200 min 99.9% pure)	<b>Approved Lubricants</b> POE, PAO, PVE, AB and MO
<b>O-Ring</b> HNBR	<b>Approved Connections</b> Copper to Copper
<b>Fitting Warranty</b>	<b>Approved Tube</b> Copper tube conforming to AS 1571
15-year warranty	<b>Approved Copper Tubing</b> Annealed, Half Hard, Hard

## Approved Refrigerants

R32	R125	R134a	R290	R404A
R407A	R407C	R407F	R407H	R410A
R454A	R454B	R438A	R448A	R449A
R454C	R452A	R452B	R507A	R600A
R452C	R1234yf	R1234ze		

# Refrigeration Press Fittings



COMPATIBLE PRESS TOOLS	32 kN	24 kN	19 kN	
<b>ROTHENBERGER</b>	ROMAX 3000	✓	–	–
	ROMAX 3000 AC	✓	–	–
	ROMAX4000	✓	–	–
	ROMAXAC ECO	✓	–	–
	Twin Turbo US (TT US)	–	✓	–
	ROMAX@Compact TT	–	–	✓
	ROMAX@Compact	–	–	✓
<b>DEWALT</b>	DCE200	✓	–	–
<b>KLAUKE</b>	UAP2/UNP2	✓	–	–
	UAP3L/UAP4L	✓	–	–
	UP2EL14	✓	–	–
	MAP2L19	–	–	✓
	MAP219	–	–	✓
<b>MILWAUKEE</b>	M12 Force Logic	–	✓	–
	M18 Force Logic	✓	–	–
<b>HILTI</b>	NPR 019	–	–	✓
<b>NIBCO</b>	PC-100	✓	–	–
	PC-280	✓	–	–
<b>REMS</b>	Power-Press	✓	–	–
	Akku-Press	✓	–	–
<b>RIDGID</b>	320-E	✓	–	–
	CT400	✓	–	–
	RP 241	–	✓	–
	RP 240	–	✓	–
	RP 210-B	–	✓	–
	RP 200-B	–	✓	–
	RP 330-B	✓	–	–
	BP 330-C	✓	–	–
	RP 340	✓	–	–
	RP 350	✓	–	–
<b>VIRAX</b>	Viper P25+	✓	–	–
	Viper P25+	✓	–	–



# Refrigeration Press Fittings

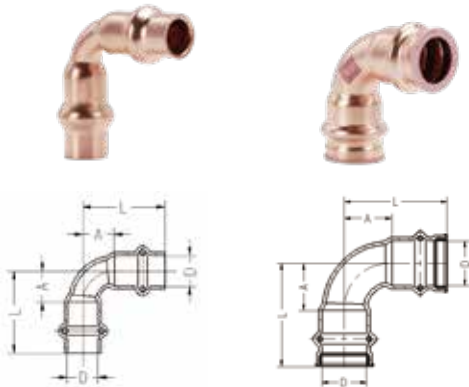


## Equal Tee PxPxP



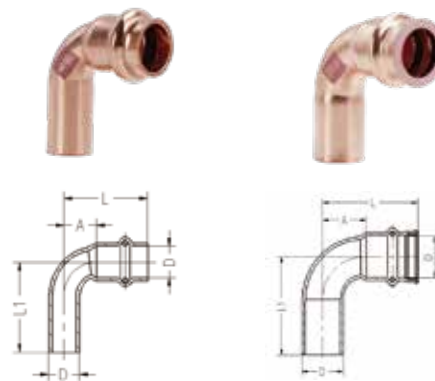
PT Part No	Size D	L	L	A	A	L1	L1	A1	A1
		Inch	mm	Inch	mm	Inch	mm	Inch	mm
100517	1/4"	1.77	45.00	0.26	6.50	0.85	21.50	0.22	5.50
100518	3/8"	1.97	50.00	0.35	9.00	0.98	25.00	0.35	9.00
100519	1/2"	2.36	60.00	0.47	12.00	1.10	28.00	0.39	10.00
100520	5/8"	2.83	72.00	0.59	15.00	1.32	33.50	0.49	12.50
100521	3/4"	3.07	78.00	0.61	15.50	1.48	37.50	0.55	14.00
100522	7/8"	3.35	85.00	0.71	18.00	1.56	39.50	0.59	15.00
100523	1 1/8"	3.88	98.50	0.96	24.50	1.75	44.50	0.79	20.00

## 90° Elbow PxP



PT Part No	Size D	L	L	A	A
		Inch	mm	Inch	mm
100531	1/4"	0.94	24.00	0.31	8.00
100532	3/8"	1.02	26.00	0.39	10.00
100533	1/2"	1.20	30.50	0.49	12.50
100534	5/8"	1.40	35.50	0.57	14.50
100535	3/4"	1.28	32.50	0.79	20.00
100536	7/8"	1.75	44.50	0.79	20.00
100537	1 1/8"	2.09	53.00	1.12	28.50

## 90° Street Elbow FTGxP



PT Part No	Size D	L	L	L1	L1	A	A
		Inch	mm	Inch	mm	Inch	mm
100538	1/4"	0.94	24.00	1.00	25.50	0.31	8.00
100539	3/8"	1.02	26.00	1.10	28.00	0.39	10.00
100540	1/2"	1.16	29.50	1.28	32.50	0.45	11.50
100541	5/8"	1.40	35.50	1.56	39.50	0.57	14.50
100542	3/4"	1.28	32.50	1.77	45.00	0.79	20.00
100543	7/8"	1.75	44.50	2.01	51.00	0.79	20.00
100544	1 1/8"	2.09	53.00	2.32	59.00	1.12	28.50

# Refrigeration Press Fittings

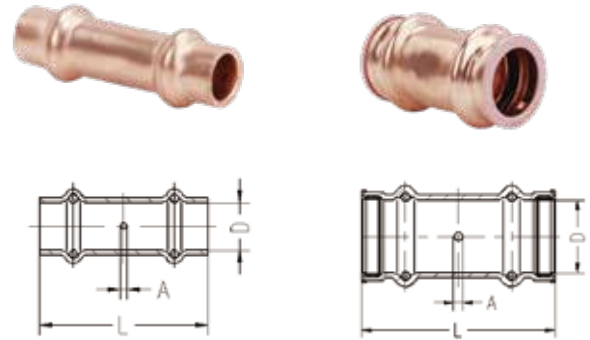


## 45° Elbow P x P



PT Part No	Size D1	L		A	
		Inch	mm	Inch	mm
100524	1/4"	0,81	20,50	0,18	4,50
100525	3/8"	0,85	21,50	0,22	5,50
100526	1/2"	0,87	22,00	0,16	4,00
100527	5/8"	1,12	28,50	0,30	7,50
100528	3/4"	1,28	32,50	0,35	9,00
100529	7/8"	1,42	36,00	0,45	11,50
100530	1 1/8"	1,44	36,50	0,49	12,50

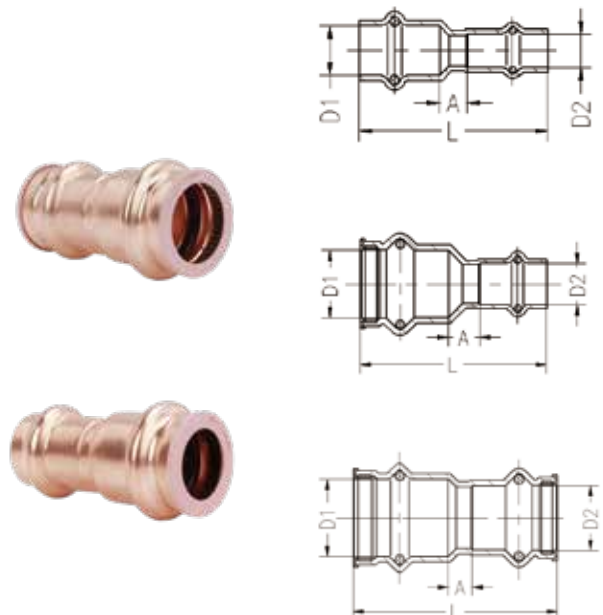
## Coupling with Stop P x P



PT Part No	Size D1	L		A	
		Inch	mm	Inch	mm
100545	1/4"	1,38	35,00	0,12	3,00
100546	3/8"	1,38	35,00	0,12	3,00
100547	1/2"	1,57	40,00	0,16	4,00
100548	5/8"	1,65	42,00	0,16	4,00
100549	3/4"	2,01	51,00	0,20	5,00
100550	7/8"	2,09	53,00	0,20	5,00
100551	1 1/8"	2,11	53,50	0,20	5,00

## Reducing Coupling P x P

PT Part No	Size D1	Size D2	L		A	
			Inch	mm	Inch	mm
100552	3/8"	1/4"	1,65	42,00	0,31	8,00
100553	1/2"	1/4"	1,57	40,00	0,24	6,00
100554	1/2"	3/8"	1,48	37,50	0,22	5,50
100558	3/4"	1/2"	1,95	49,50	0,31	8,00
100555	5/8"	1/4"	1,91	48,50	0,45	11,50
100556	5/8"	3/8"	1,75	44,50	0,30	7,50
100557	5/8"	1/2"	1,77	45,00	0,24	6,00
100560	7/8"	1/2"	2,05	52,00	0,37	9,50
100559	3/4"	5/8"	1,99	50,50	0,24	6,00
100562	7/8"	3/4"	2,15	54,50	0,26	6,50
100561	7/8"	5/8"	2,15	54,50	0,35	9,00
100564	1 1/8"	3/4"	2,28	58,00	0,39	10,00
100563	1 1/8"	5/8"	2,30	58,50	0,51	13,00
100565	1 1/8"	7/8"	2,28	58,00	0,35	9,00



# Refrigeration Press Fittings



## Flare



PT Part No	Size D1	Size D2	L		L1		A	
			Inch	mm	Inch	mm	Inch	mm
100573	1/4"	UNF 7/16-20	2.13	54.00	1.79	45.50	0.63	16.00
100574	3/8"	UNF 5/8-15	2.40	61.00	1.99	50.50	0.63	16.00
100575	1/2"	UNF 3/4-16	2.50	63.50	2.03	51.50	0.71	18.00
100576	5/8"	UNF 7/8-14	2.91	74.00	2.32	59.00	0.83	21.00
100577	3/4"	UNF 11/16-14	3.21	81.50	2.54	64.50	0.93	23.50

## Cap PxCap



PT Part No	Size D1	L		A	
		Inch	mm	Inch	mm
100566	1/4"	0.71	18.00	0.08	2.00
100567	3/8"	0.71	18.00	0.08	2.00
100568	1/2"	0.81	20.50	0.10	2.50
100569	5/8"	0.96	24.50	0.10	2.50
100570	3/4"	1.02	26.00	0.10	2.50
100571	7/8"	1.06	27.00	0.10	2.50
100572	11/8"	1.08	27.50	0.12	3.00



# R410A Copper Fittings



## Features

- Comply with Australian Standard AS1571
- Manufactured in ISO9001 certified facility
- Designed and Manufactured to suit refrigerant R410A
- Engineered and Manufactured to remove stress and fatigue focus points
- Rigorously quality control system to ensure each fitting meet required safe working pressure
- Full series items available including Tees, Elbows, Couplings, etc

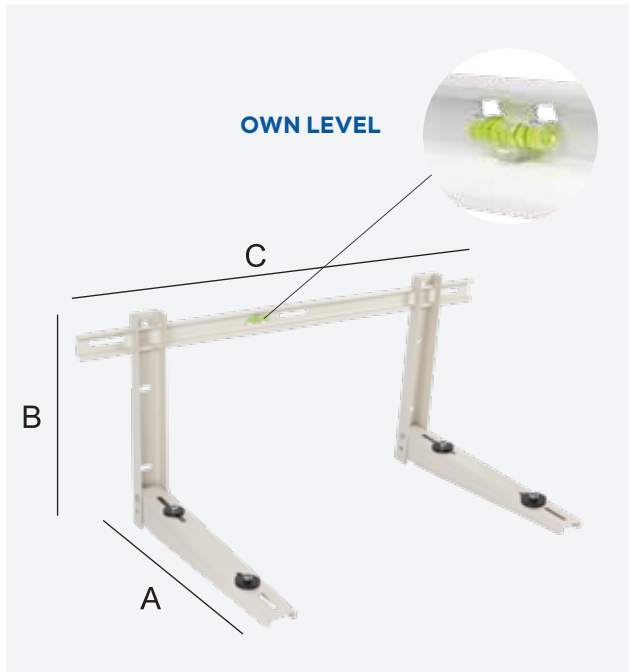
## Installation

- ICOOL R410A copper fittings can be installed easily by tradespeople in accordance with the methodology recommended in AS HB40
- 15% silver solder is recommended for brazing R410A copper tube or fittings or other high pressure applications

### ICOOL R410A Copper Fitting Working Pressures Chart

Size	OD (mm)	Raw Material Wall Thickness (mm)	Possible Lowest Point of the Fitting(R410A) (mm)	Max Working Pressure at 65°C (bar)
1/4"	6.35	0.81	0.67	142
5/16"	7.93	0.81	0.67	111
3/8"	9.52	0.81	0.8	110
1/2"	12.7	0.81	0.8	81
5/8"	15.88	1.02	0.9	72
3/4"	19.05	1.14	1	66
7/8"	22.23	1.4	1.15	65
1"	25.4	1.63	1.3	65
1-1/8"	28.58	1.83	1.5	66
1-1/4"	31.75	2.03	1.65	66
1-3/8"	34.93	2.03	1.83	66
1-1/2"	38.1	2.4	2	66
1-5/8"	41.58	2.41	2.3	70
2-1/8"	53.98	3.3	2.75	64
2-5/8"	66.67	4.2	3.5	66
3-1/8"	79.37	4.92	4.1	65

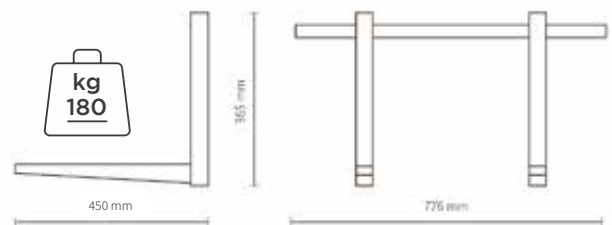
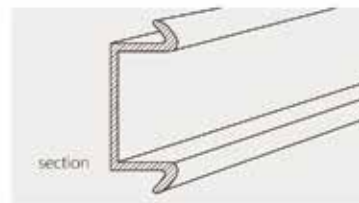
# Heavy Duty Wall Bracket



## SPARE PART



## DIMENSIONS AND LOADING CAPACITY



## ADVANTAGES

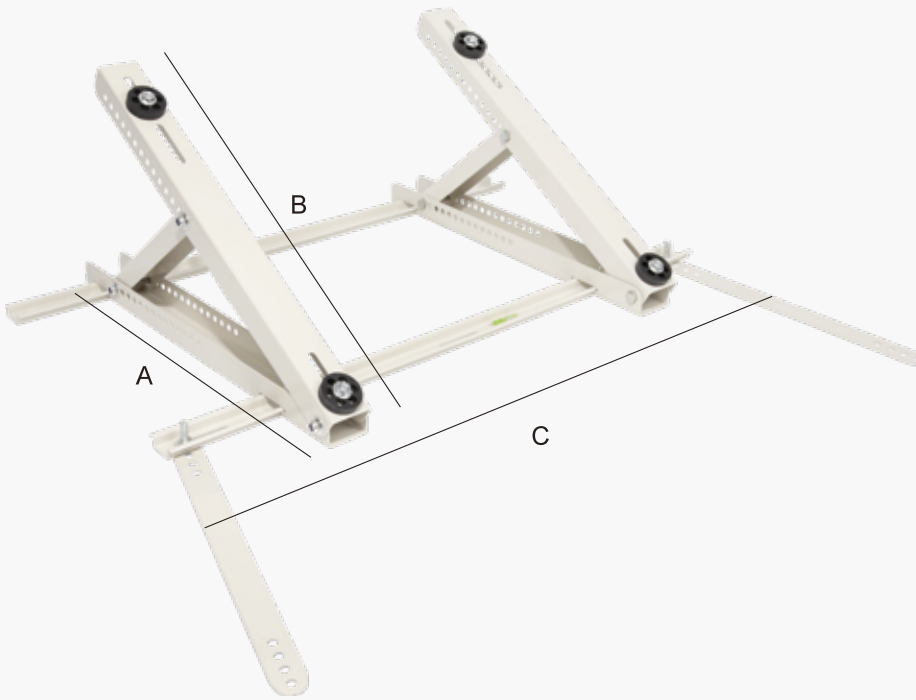
Cross bar equipped with level, easy to be installed. Protecting the out door air conditioners from all weather elements to expand service life.



**HOT GALVANIZED**

Product Code	A(mm)	B(mm)	C(mm)	Load Capacity
W450	450	365	780	180kg
W550	550	450	780	250kg

# Roof Bracket



## Features

- Installed on roof or sloping surface
- Adjustable angle for surface incline 10 to 28°
- Complete with assembly, anti-vibration rubber accessories
- 100 to 380mm depth
- Come with bolt and anti-vibration feet accessories in bag

Product Code	A(mm)	B(mm)	C(mm)	Load Capacity
RS550	500	500	780	200kg

# Copper Phosphorus Alloy with Argentum



## Application

The Copper Phosphorus Alloy with Argentum products are most widely applied to form joints on the following materials: Copper tubes, pipes and fittings Copper alloys including brass, bronze, nickel silver and aluminium-bronze Electrical engineering applications

## Conditions of Use

- The Copper Phosphorus Alloy with Argentum products are typically used for brazing in air with a welding gun, low melting point, high strength, good fluxility & wettability.
- These products are self-fluxing when used on copper and therefore do not require a separate flux for this application.



Part No.	Chemical Composition(%)			Melting Range(°C)		Characteristic & Application
	Ag	P	Cu	Solidus	liquidus	
SS2	1.8-2.2	6.8-7.2	Bal	645	788	SS2 sits between SS5 and copper phosphorus alloy. It is less ductile and free flowing than SS5 but more ductile whilst being less free flowing than copper phosphorus alloy. It is used in HVAC&R applications for flux-free brazing of copper pipes, tubes and seams where these properties and its cost are acceptable. It is also used in some electrical engineering and plumbing applications.
SS5	4.8-5.2	6.5-7.0	Bal	643	771	SS5 provides the best combination of flow and ductility of all the silver/copper-phosphorus type brazing filler metals. As a result it is extensively used in heat exchanger, air conditioning and refrigeration (HVAC&R) applications for flux-free brazing of copper pipes and tubes. It is also used for joining copper and copper alloys in electrical engineering applications.
SS6	5.8-6.2	7.0-7.5	Bal	643	813	SS6 is one of the most free flowing filler metals from the copper phosphorus alloy with Ag range making it popular in heat exchanger, air conditioning and refrigeration (HVAC&R) applications. It is also one of the least ductile and should not be used in applications involving exposure to strong vibrations, impact loads or where some deformation of the joint might be expected in service.
SS15	14.5-15.5	4.8-5.2	Bal	645	800	SS15 is a widely used product being the most ductile of the silver/copper-phosphorus brazing filler metals and the only one available as a foil. It is used extensively in electrical engineering applications where it is used to make electrically conductive joints. It is also used in heating and ventilation and refrigeration applications to join copper pipes.
SS18	17.5-18.5	6.2-6.5	Bal	645	645	SS18 is the most free flowing filler metal from the copper phosphorus alloy with Ag range. It is used in niche applications where its low melting temperature, flow properties and electrical conductivity are an advantage. SS18 is not particularly ductile and should not be used in applications where vibration, stress or deformation of the joint in service are possible.

# MAP PRO

LIQUEFIED PETROLEUM GAS WITH PROPYLENE



## PHYSICAL PROPERTIES

- Actual burning temperature: Approach 3600F
- The full burning time: Nearly 2 hours and 48 minutes
- Scientific blend proportion and good flame to guarantee good welding result and shorten working time
- Temperature(Degree Celsius) 20 degree C, Pressure(psig)110psig
- Diameter 76mm, Height 270mm, Gross weight 550g, convenient for holding and taking

## QUALITY STANDARDS

Purity:  $\geq 99.9\%$

## PACKAGING

14.1oz /399.7g per cylinder,  
12 cylinders/carton,  
23520 cylinders/40ft container,  
1960 cartons/40ft container

## APPLICATION

For welding, brazing and soldering

# MOTORISED ZONE DAMPER

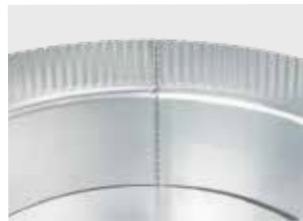


## Application

Motorised Zone Damper allows the end user to easily control the airflow from fully open to shut off.

## Features

- Fabricated from galvanized steel
- Insulated casing to protect the air flowing
- Available with extra blade support
- Sealed joints design to eliminate air leakages
- Motor 3.5 N-m of Torque



## Warranty

Domestic five -year warranty; Commercial one -year warranty.

## Air Duct Damper Actuator

Model	240 Volts	
	Diameter	
	mm	inch
MZD240-150	150	6
MZD240-200	200	8
MZD240-250	250	10
MZD240-300	300	12
MZD240-350	350	14
MZD240-400	400	16

Model	24 Volts	
	Diameter	
	mm	inch
MZD24-150	150	6
MZD24-200	200	8
MZD24-250	250	10
MZD24-300	300	12
MZD24-350	350	14
MZD24-400	400	16



# MOTORISED ZONE DAMPER



TOUCH4

## 4 Zone Touchpad

- Four area control switches
- DIP overflow control switch



TRF001

## Transformer

### DESIGN

Input: AC230-240V, 50Hz

Output: AC24V, 2000mA

## Cable

- Compatible with most Air Conditioners in the market, there are 24V to choose from.
- You can also use the control box to control the switch of other unused area, therefore to control the on/off.



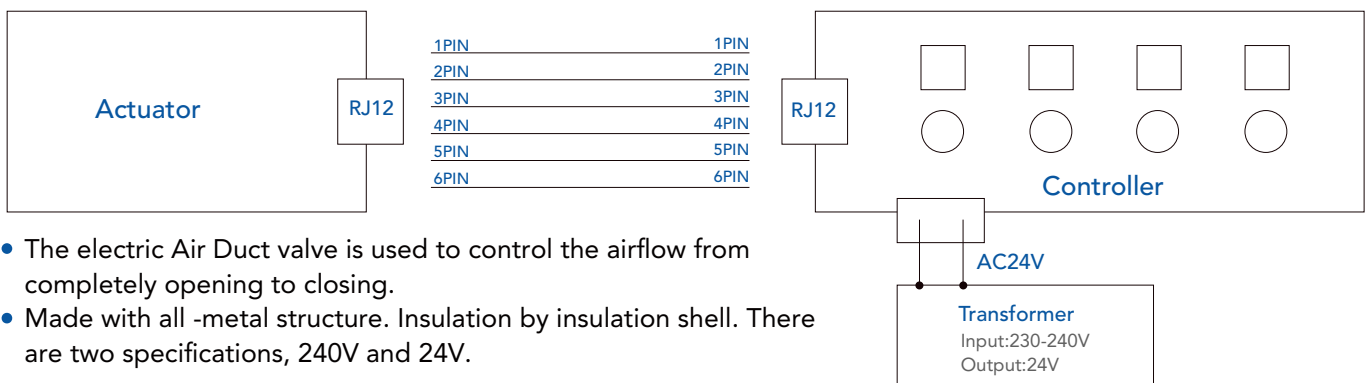
EW6RJ12-15

## Product specification

Size 15M length

Design RJ12

## Connection explanation



- The electric Air Duct valve is used to control the airflow from completely opening to closing.
- Made with all -metal structure. Insulation by insulation shell. There are two specifications, 240V and 24V.

# ROUND DIFFUSER



## Application

The ICOOL Round Diffuser is suitable for supply airflow in cooling, heating and isothermal applications to achieve better air distribution.



## Features

- Made from high impact resistant ABS plastic to provide long term strength and rigidity
- Easy installation
- Fully adjustable by rotating central core to achieve better air distribution
- The outer surface is lightly etched white finish to reduce reflection and fit with most decors
- Available with both insulated and non-insulated in 4 sizes



Round Diffuser Product Code	Round Diffuser-Insulated Product Code	A(mm)	B(mm)	H(mm)
RD-150	RDI-150	147	259	101.6
RD-200	RDI-200	201.8	316	110.6
RD-250	RDI-250	253.6	389.3	120
RD-300	RDI-300	298	435	124.2

# Drain Hose



## Description

ICOOL drain hose manufactured from UV stabilized polyethylene is durable and can easily be cut to length for each application.

## Specification

- Internal Diameter: 16mm/18mm
- Outside Diameter: 20mm-21mm
- Length: 50M

## ICOOL Pacific Pty Ltd

Warehouse 3, 93 South Gippsland Hwy, Dandenong South, VIC 3175



+61-3-97064520



[sales@icoolpacific.com](mailto:sales@icoolpacific.com)



+61-3-97064527



[www.icoolpacific.com](http://www.icoolpacific.com)

