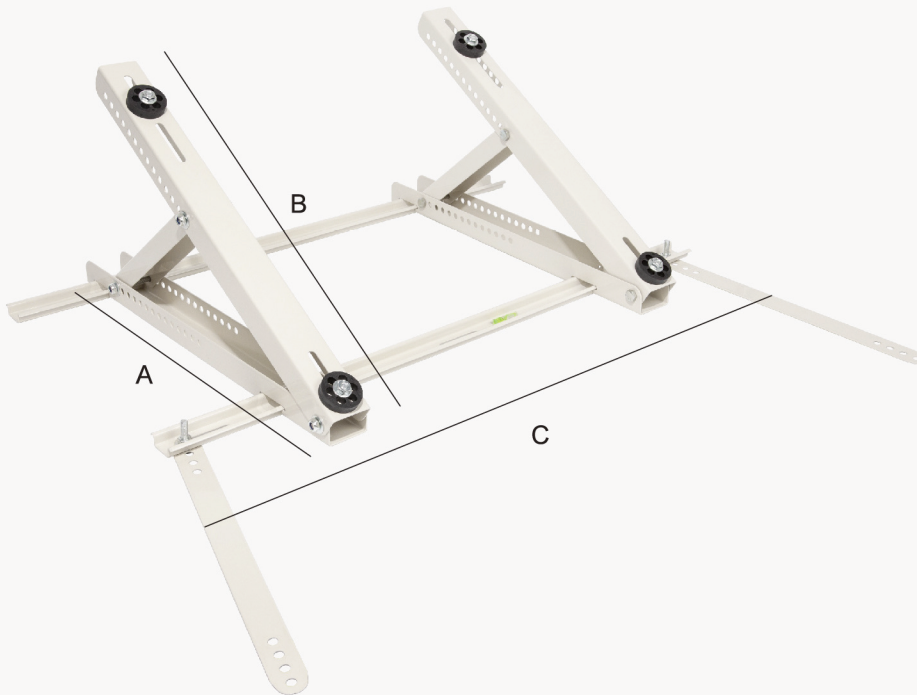


Roof Bracket



Features

- Installed on roof or sloping surface
- Adjustable angle for surface incline 10 to 28°
- Complete with assembly, anti-vibration rubber accessories
- 100 to 380mm depth
- Come with bolt and anti-vibration feet accessories in bag

Product Code	A(mm)	B(mm)	C(mm)	Load Capacity
RS550	500	500	780	200kg

ICOOL Pacific Pty Ltd

Warehouse 3, 93 South Gippsland Hwy, Dandenong South, VIC 3175
Tel : +61-3-97064520 Fax : +61-3-97064527



www.icoolpacific.com



sales@icoolpacific.com